



Schubert & Salzer - Your Partner for Metallurgy

## Benefit from our experience to increase your success!

When it comes to the production and processing of metals having the right valve in the right place is essential if things are to run smoothly. The requirements may vary depending on where a valve is used, but they are always high: process-stability, long-lasting life time, easy maintenance and precise control are just a few examples.

With Schubert & Salzer Control Systems valves, you can be sure you have made the right choice. We have many years of experience as the trusted partners of a broad range of companies working in your industry. The range of applications is wide. For example, our valves control very precisely gases in burner installations in primary and secondary metallurgy or in alloying and galvanising processes as well as cooling water in continuous casting plants.

Further applications can be found in gas cleaning for denitrification with ammonia or in quenching flue gases.

Valves from Schubert & Salzer are used in steam applications for vacuum systems and blast furnaces, for abrasive media such as coal powder or ore slag, in blowing systems as well as in mold cooling and in hot or cold rolling systems.


Whatever the challenges in your process might be, you can rely on us to be a competent partner at your side. We don't just sell you an off-the-shelf product; we offer you a solution which is designed to fit your individual requirements.

**Benefit from our experience  
to increase your success!**





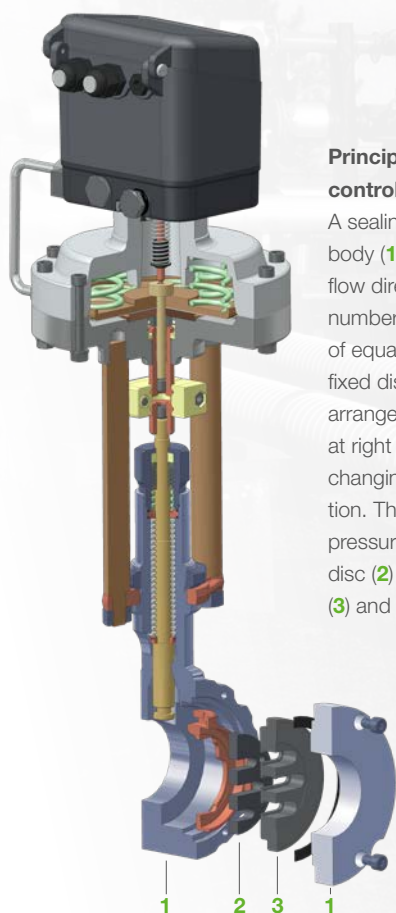
# Sliding gate control valves

 The GS-Valve and its applications – See the movie at: [controlsystems.schubert-salzer.com/en/gs-film](https://controlsystems.schubert-salzer.com/en/gs-film)

When it comes to precise control of liquid and gaseous media, sliding gate valves are particularly suitable. They prove to be a superior alternative to globe valves – even at very high or low temperatures, high pressures, if rapid switching actions, a high degree of control precision or rangeability are needed. Users appreciate the significantly lower consumption of energy due to the smaller actuator and extremely short valve stroke of 6-9 mm. Typical applications are control of O<sub>2</sub>/natural gas in burner systems, cooling water control in continuous casting and rolling processes; the control of N<sub>2</sub> for inerting, argon flushing in alloying, as well as air regulation for zinc thickness adjustment on strip galvanizing plants or ammonia control for denoxification. The extremely rapid opening times of sliding gate valves enabling very high switching frequencies are ideal for the pulsed injection of oxygen in cupola and blast furnaces.

## Summary of your benefits:

- Compact construction and simple installation.
- 10 times less actuation force reduces energy consumption and is kinder for the climate and environment.
- Highest quality control performance and high rangeability thanks to the digital positioner; fast reaction times due to the short stroke also if motor actuated!
- When used as stop valve, valve opening times of less than 2 milliseconds can be reached! (e.g. for O<sub>2</sub> pulsing)
- Very simple servicing by exchanging the easily accessible disc pair.
- Minimal spare parts requirements.
- Compact, integrated positioner without permanent pilot air consumption.
- It is easy to optimise or adjust the regulation as the C<sub>vs</sub> values and the characteristic curve can be altered simply by exchanging the fixed disc.
- Short strokes of 6-9 mm reduce internal wear and tear and extend the life of the part.
- Minimised wear and tear in cavitation applications due to optimised flow guidance.
- Maintenance-friendly replacement of the integrated positioner. Smart diagnostics software in the positioner as a valuable aid.
- Low heat or cooling loss due to a reduced body surface.
- Reduced noise emissions.
- A complete stainless-steel version is available.



### Principle of the sliding gate control valve:

A sealing plate (3) fixed in the body (1) at right angles to the flow direction has a certain number of crossways slots of equal height. A rotationally fixed disc (2) with the same arrangement of slots is moved at right angles to this, thereby changing the flow cross section. The prevailing differential pressure presses the moving disc (2) against the fixed disc (3) and seals it.



Size comparison between a normal seat valve and a Schubert & Salzer sliding gate valve at identical nominal sizes.

# Seat Valves

Angle seat valves in the form of on/off and control units offer a particularly compact construction and perform a very high number of switch cycles. In its many versions, the construction of the valve gives a highly efficient flow rate and can even be used in lightly contaminated media. They are available with a threaded connection as well as with welding ends or flanges. Actuation is either pneumatic or electric.

The seat valves are ideal when liquid and gaseous media need to be shut off securely and without closing impact. Gases principally used in metallurgy include  $O_2$ ,  $H_2$ , natural gas, argon and  $N_2$ . Also water, oils, fuels, emulsions, chemicals or even steam are used. A special application in foundries is the shooting of cores or the compaction of the sand in molding plants using compressed air.


## Summary of your benefits:

- Long service life with over 1 million switch cycles and highly leakproof even with slightly contaminated media.
- Very simple to maintain: when servicing the valve, the body can remain in the pipe. The actuator with valve plug can easily be unscrewed.
- This uncomplicated method of servicing also enables an advantageous and space-saving construction with welding ends, ensuring no leaking at the connections.
- Flexible pilot air connection thanks to an actuator bonnet which can rotate 360°.
- Every part of the valve is available as a replacement part.
- A temperature range of -100 °C to 220 °C is possible. Oil- and grease-free versions are available.
- Available in nominal sizes DN 8 to DN 80, up to pressure rating PN40.
- Wide variety of material combinations including a complete stainless-steel option.
- Easy handling and reduced storage: The identical valve body is the basis for line strainers, check valves, manual valves, pneumatic valves and control valves.
- Schubert & Salzer seat valves are non-sensitive to slightly contaminated media and are superior to solenoid valves.
- Large variety of special solutions available.
- DVGW-Certificates DIN EN 161 and DIN EN 16678





# Ball sector valves

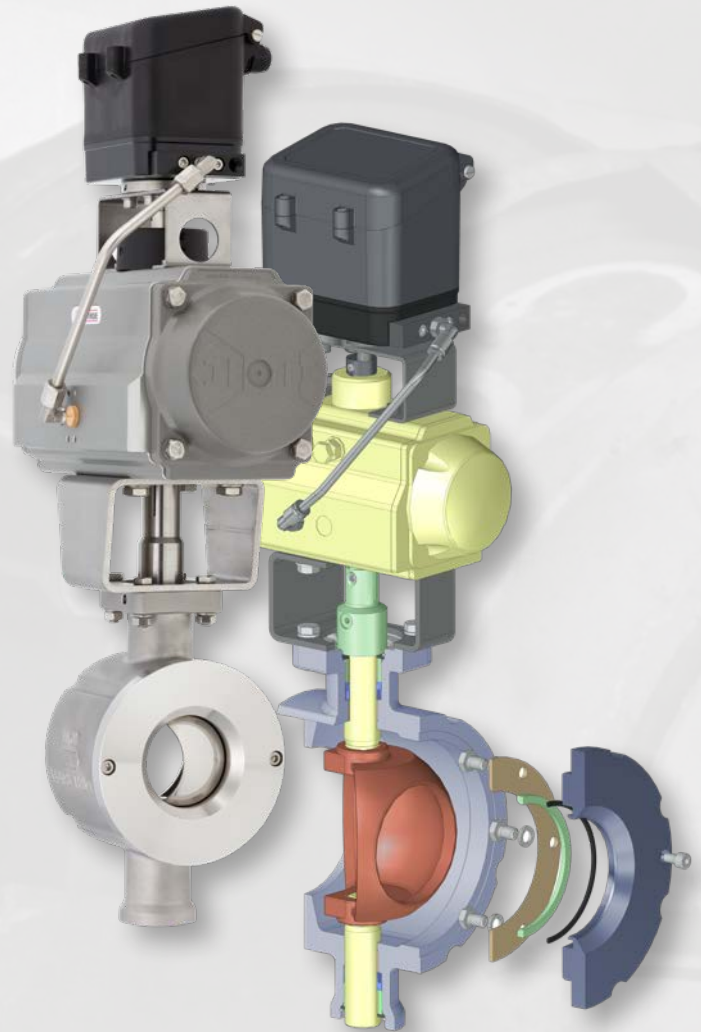
 The ball sector valve and its applications – See the movie at: [controlsystems.schubert-salzer.com/en/bsvt-film](http://controlsystems.schubert-salzer.com/en/bsvt-film)

Schubert & Salzer's ball sector valves have proved themselves particularly as control valves for abrasive, particle-loaded, dusty, viscous and crystallising media. Due to their especially designed ball sectors they are self-cleaning. They are precisely controlled by electric actuators and pneumatic actuators with top-mounted positioners.

Typical applications include controlling the supply of coal powder to furnaces, of air in galvanizing plants and of contaminated water in mold cooling, as well as in the spray cooling in hot and cold rolling mills with high rangeability.

## Summary of your benefits:

- Compact construction, simple installation.
- Elliptical cross section of the ball guarantees minimal wear, seal area lies outside control edge.
- The combination of central bearing and seat ring/ring wipes particles off the seat and prevents their accumulation between ball and valve seat.
- The special ball design provides self-cleaning when crystallisation and build-ups occur.
- Highest control level with a rangeability of 300:1.
- Bi-directional flow possible.
- Material combination tailored to the application.
- Hard chrome plating and stellite seats for highly abrasive applications.
- TA Luft-certified shaft seal possible by double O-ring design.
- Low actuation forces.
- Modular design of pneumatic and electric actuators, also available in Ex-version.



**Germany**

**Schubert & Salzer  
Control Systems GmbH**

Bunsenstrasse 38

85053 Ingolstadt

Germany

Phone: +49 841 96 54-0

Fax: +49 841 96 54-5 90

info.cs@schubert-salzer.com

**Benelux**

**Schubert & Salzer  
Benelux BV/SRL**

Poortakkerstraat 91/201  
9051 Gent

Belgium

Phone Belgium: +32 / 9 / 334 54 62

Fax Belgium: +32 / 9 / 334 54 63

info.benelux@schubert-salzer.com

Phone Netherlands: +31 / 85 / 888 05 72

info.nl@schubert-salzer.com

Phone Luxembourg: +352 / 20 / 880 643

info.lux@schubert-salzer.com

**France**

**Schubert & Salzer  
France SARL**

950 route des Colles

CS 30505

06410 Sophia Antipolis

France

Phone: +33 / 492 94 48 41

Fax: +33 / 493 95 52 58

info.fr@schubert-salzer.com

**United Kingdom**

**Schubert & Salzer  
UK Limited**

140 New Road

Aston Fields

Bromsgrove

Worcestershire

B60 2LE

United Kingdom

Phone: +44 / 19 52 / 46 20 21

Fax: +44 / 19 52 / 46 32 75

info@schubert-salzer.co.uk

**India**

**Schubert & Salzer  
India Private Limited**

707, Lodha Supremus,

Senapati Bapat Marg, Upper Worli,

Opp. Lodha World Tower

Lower Parel (W)

Mumbai 400 013

India

Phone: +91 / 77 38 15 46 61

info.india@schubert-salzer.com

**United States of America**

**Schubert & Salzer Inc.**

4601 Corporate Drive NW

Suite 100

Concord, N.C. 28027

United States of America

Phone: +1 / 704 / 789 - 0169

Fax: +1 / 704 / 792 - 9783

info@schubertsalzerinc.com

www.schubertsalzerinc.com



Website



LinkedIn